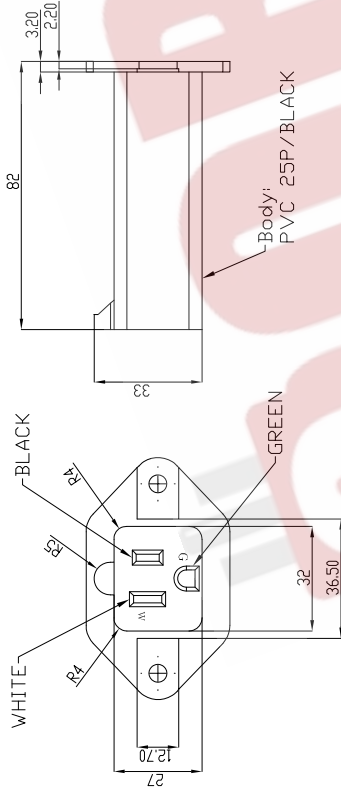
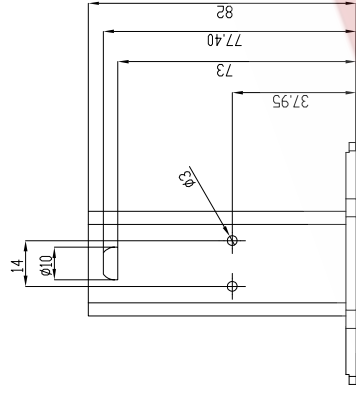
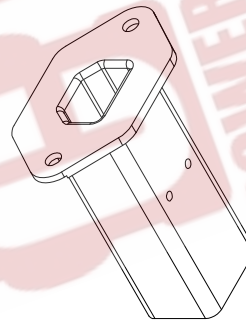
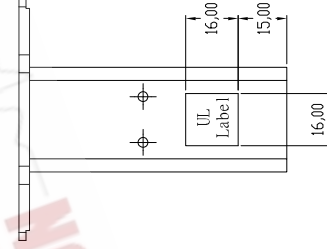
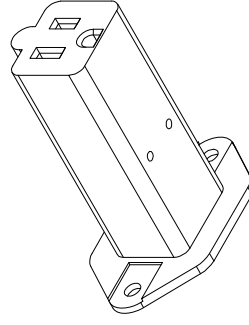
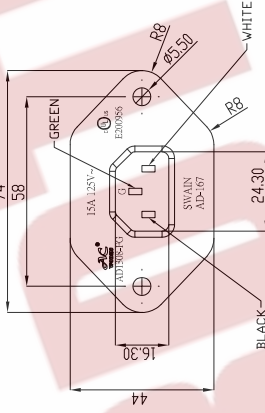


Note :

1. Plug terminals shall be nickel plated.
- The socket terminal is brass.
2. Packing : Each product uses a grid partition.



Body:
PVC 25P/BLACK



AC Connectors of Cordtec Power Corp
 Main: 1-414-434-2220 Fax: 1-414-323-8386
 Text: 1-414-323-3240
 Email : Info@CordtecPower.com
 Website: CordtecPower.com/ ACWORKS.com

UNIT: MM.

DWG No. : 1 of 1

TOLERANCE:

DATE

SCALE

REV

DRAWN

CHECKED

APPROVED

ITEM: AD1308-FG (AD-167)

CUSTOMER: Cordtec

Alex

2023.02.15

1.0

Alex